

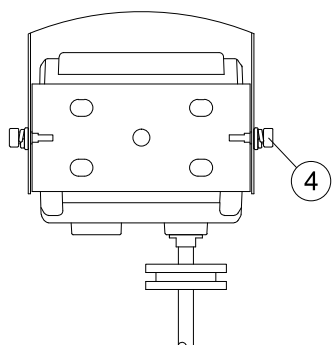
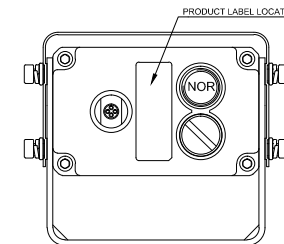
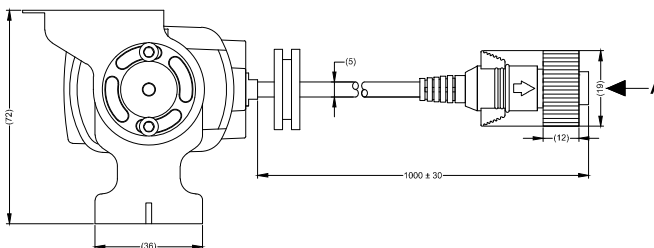
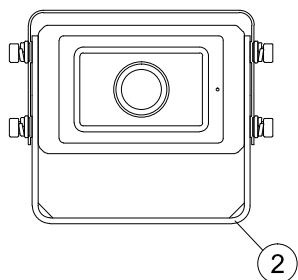
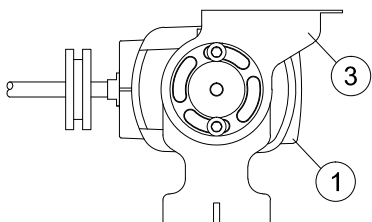
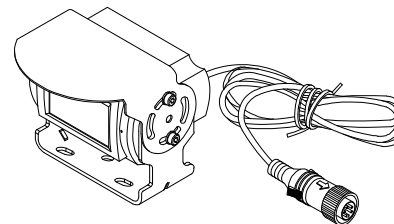
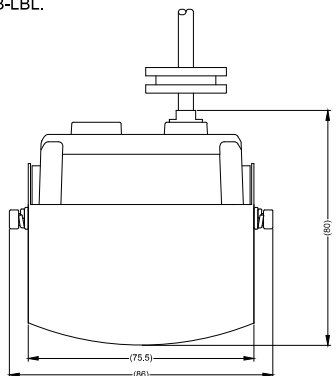
CHANGES FROM BASE PRODUCT BE-800C (1623C) TO BE-800C-NIR (4247A)

- CHANGE:
1. REPLACE BE-800C-C (3243C) WITH BE-800C-NIR-C (4248A).
 2. REPLACE BE-800C-IG (3247) WITH BE-800C-NIR-IG (4249A).
 3. REPLACE BE-800C GB-LBL WITH BE-800C-NIR GB-LBL.

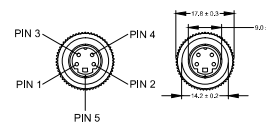
OPERATION: 1. NO IR ILLUMINATION.

Revision Notes.				
R1 -				
APA: -	Drawn:-	Checked:-	Approved:-	Date: -

ITEM	PART NO	QTY	MODEL/DESCRIPTION
①	(4248A)	1	BE-800C-NIR-C CAMERA ONLY
②	(3244)	1	BE-89XC/BE-X0XC-BKT CAMERA BRACKET
③	(3245)	1	BE-89XC/BE-X0XC-SS CAMERA SUNSHIELD
④	(3246)	1	BE-2XXC/8XXC-FIX CAMERA FIXING PACK (NOT SHOWN)
⑤	(4249A)	1	BE-800C-NIR-IG INSTALLATION GUIDE (NOT SHOWN)



VIEW A



4 PIN MINI DIN MALE MATING FACE

PIN #	WIRE COLOUR	DESCRIPTION
1	YELLOW	VIDEO
2	RED	+12V
3	BLUE	N.C
4	WHITE	AUDIO
5	BLACK/SHIELD	GND

- NOTES:
1. REFER TO COMPONENT DRAWINGS FOR COMPONENT DETAILS.
 2. ENSURE SELF AMALGAMATING TAPE IS USED DURING INSTALLATION.
 3. ANY CUSTOMER MODIFICATION OF THIS PRODUCT CAUSING SUBSEQUENT FAILURE IS NOT A LIABILITY OF BRIGADE ELECTRONICS PLC.
 4. FOR GIFTBOX LABEL REFER TO LATEST REVISION OF DRAWING BE-002901-XX-14.
 5. FOR SERIAL NUMBER LABEL REFER TO LATEST REVISION OF DRAWING BE-001298-XX-10.
 6. REFER TO LATEST REVISION OF DRAWING BE-002926-XX-14 FOR PACKAGING DETAILS.

PROPRIETARY NOTICE
THIS DESIGN AND TECHNICAL INFORMATION APPEARING ON THIS DRAWING IS THE PROPERTY OF BRIGADE ELECTRONICS, AND IS DISCLOSED IN CONFIDENCE. IT IS NOT TO BE COPIED, REPRODUCED, REVEALED TO OR EXPROPRIATED BY OTHERS, EITHER IN WHOLE OR IN PART WITHOUT THE EXPRESS WRITTEN CONSENT OF BRIGADE ELECTRONICS.

BRIGADE
www.brigade-electronics.com

Assembly Pl Approval T.CHOI 27/10/14	Approved by B.CHILDS	Checked by R.BATES	Drawn by P.MISSEN
Angle of Projection Third Angle	Units mm	Scale N/A	Released 31/10/14
Status RELEASED	BE-800C-NIR		
Part No 4247A	BE-003012-00-14		